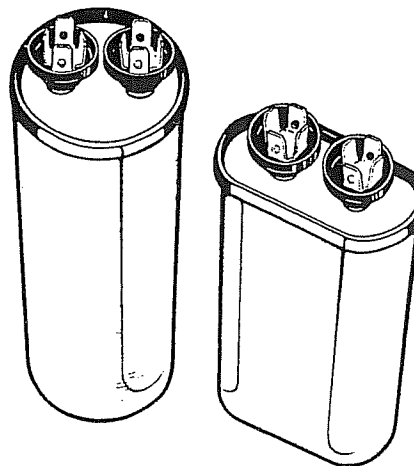


# General Purpose A-C Capacitors - Gem III

## 600 Volts A-C

This series of Gem III capacitors is specifically designed for general purpose AC applications in power supplies, UPS and power conversion equipment. Application Data is provided starting on page 11 that gives the Equivelent Series Resistance (ESR) for each unit. This allows the user to calculate the losses for each design/application and to ensure that they are kept within the permissible limits. Any questions regarding the suitability of a capacitor for a particular application may be referred to GE Engineers through your GE Sales Representative.



### SPECIFICATIONS

Available Capacitance Range:	1.5 to 45 $\mu$ F
Capacitance Tolerance:	$\pm$ 6%
Capacitance Variation with Temperature:	See chart E-3 on page 14
Rated Voltage:	See Ratings Tables. Rating is the 60Hz RMS voltage for a sinusoidal waveform. For other waveforms refer to the Application Note on page 14.
Leakage Current:	30 $\mu$ A maximum
Frequency:	50/60Hz. For higher frequencies refer to the Application Notes
Operating Temperature:	-40°C to +70°C
Storage Temperature:	-40°C to +90°C
Operating Life:	60,000 hours with 94% survival
Dissipation Factor:	0.1% maximum
Case Material/Finish:	Unpainted Aluminum. Contact factory for material/finish to meet UL outdoor standards if required
Terminations:	0.250" x 0.031" quick connect blades
Dielectric Fluid:	Dielektrol VI
Internal Protection:	UL recognized Pressure Sensitive Interrupter. See Ratings Table for GE's Code Number listed under GE's U.L. File No. E7793(N). For UL submittals with these capacitors use the GE 'Pxxx' number not the Catalog Number. The corresponding generic U.L. designation that includes the Available Fault Current (AFC) rating is given below. All these capacitors are capable of interrupting available fault currents of up to 10,000 Amperes.

Case Style

GE Code

Generic U.L. Code

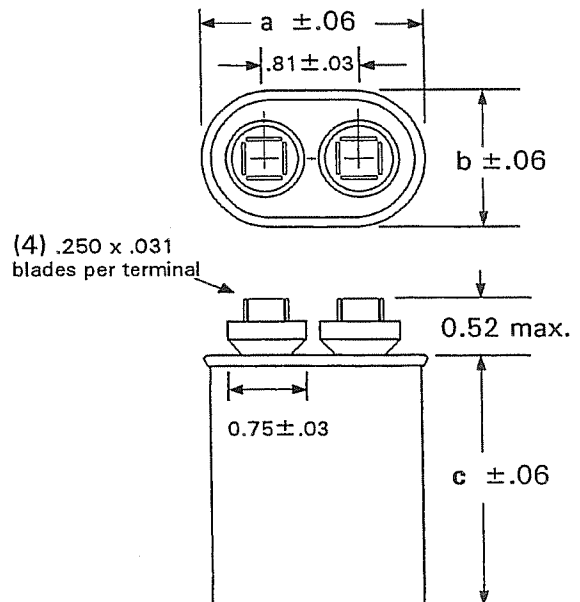
## General Purpose A-C Capacitors - Gem III

### 600 VOLTS AC

#### \* STANDARD RATINGS

Capacitance ( $\mu$ F)	Catalog Number	Case Style	Height c (ins)	U.L. Code
600 Volts A-C Nominal				
1.5	97F8240	A	2.12	P961
2.0	97F8241	A	2.12	P961
2.5	97F8242	A	2.88	P961
3.0	97F8243	A	2.88	P961
4.0	97F8244	A	2.88	P961
5.0	97F8245	A	3.88	P961
6.0	97F8246	A	3.88	P961
7.0	97F8247	A	4.75	P961
8.0	97F8248	A	4.75	P961
10	97F8249	B	3.88	P962
12	97F8250	B	3.88	P962
15	97F8251	B	3.88	P962
18	97F8252	B	4.75	P962
20	97F8253	B	4.75	P962
25	97F8254	C	4.75	P963
30	97F8255	D	3.88	P964
35	97F8256	D	4.75	P964
40	97F8257	D	4.75	P964
45	97F8258	D	4.75	P964

#### Case Styles A,B,C,D



Case Style	a	b
A	2.16	1.31
B	2.69	1.56
C	2.91	1.91
D	3.66	1.97

\* It is GE's goal to serve you with the most cost effective and the highest quality capacitor designs. Standardization to the catalog types shown is a major program at GE. However, GE remains sensitive to your needs and